

Description

4 Window Glass Barn Door with Anodized Aluminum Frame suitable for any wall-mounted application. Available in clear or frosted glass. Frosted (privacy) glass ideal for bathrooms or other areas requiring visual privacy. See dimensional drawing for sizing recommendations. Suitable for use in both professional and residential applications.

Glass

Full 1/4in thick, tempered for strength and safety. Clear or Frosted (Acid Etch.)

Frame

Proprietary aluminum extrusion with brushed satin anodized finish for durability and pristine finish. 1" wide x 1-1/4" thick frame size. No visible screws or fasteners.

Track & Hardware

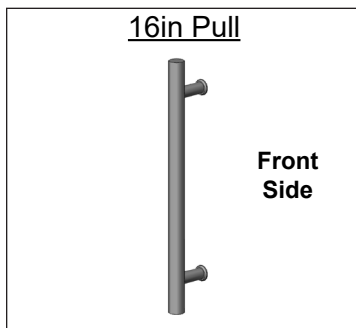
Precision-made, machined and polished (satin finish) stainless steel. Track is 1in diameter. Oversized roller wheels ensure the smoothest roll possible. Adjustable door stops (left + right) can be placed at any point along the track. Small floor guide provided to keep the door aligned. All necessary mounting screws and hardware included for installation and operation.

Handle Options

- None
- 16in Stainless Steel Pull Handle, front side of door.

Made in the USA.

Handle Options



Part Number

B1A4	-		-		-		-	
4 Window Anodized Aluminum Single Door	Width of Door (inches)	Height of Door (inches)	Glass Type C - Clear F - Frosted	Handle Type NN - None 16 - 16in Pull	Handle Side L - Left R - Right			

PROJECT

QTY

TYPE