

Description

Single Frameless Glass Barn Door suitable for any wall-mounted application. Available in clear or frosted glass. Frosted (privacy) glass ideal for bathrooms or other areas requiring visual privacy. See dimensional drawing for sizing recommendations. Suitable for use in both professional and residential applications.

Glass

Full 3/8in thick, tempered for safety.
Clear or Frosted (Acid Etch).
Edges are flat polished.

Track & Hardware

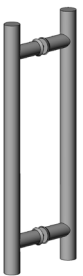
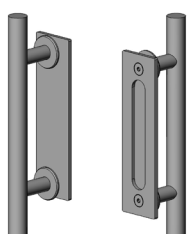
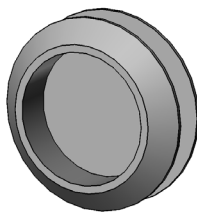
All parts are precision-made steel construction, finished in matte black industrial-strength powder coat. Track is 1-1/2in tall, 1/4in thick. Oversized roller wheels ensure the smoothest roll possible. Adjustable door stops (left + right) can be placed at any point along the track. Small floor guide provided to keep the door aligned. All necessary mounting screws and hardware included for installation and operation.

Handle

All handles are matte black powder coated stainless steel.
-16in double-sided pull handle.
(Note: rear handle will interfere with jamb)
-12in front pull w/ flat rear handle.
-2.5in double-sided round handle.

Made in the USA.

Handle Options

<p>16in Pull</p>  <p>Double Sided *Note: rear handle will interfere with jamb</p>	<p>12in Pull</p>  <p>Front Rear</p>	<p>2.5in Round</p>  <p>Double Sided</p>
--	--	---

Part Number

B1B	-	-	-	-	-	-
Black Industrial Frameless	Width of Glass Panel (inches)	Height of Glass Panel (inches)	Glass Type C - Clear F - Frosted	Handle Type 16 - 16in Pull 12 - 12in Pull RD - 2.5in Rnd Pull	Handle Side L - Left R - Right	

PROJECT

QTY

TYPE