

Description

4 Square Window Glass Barn Door with black metal frame suitable for any wall-mounted application. Available in clear or frosted glass. Frosted (privacy) glass ideal for bathrooms or other areas requiring visual privacy. See dimensional drawing for sizing recommendations. Suitable for use in both professional and residential applications.

Glass

Full 1/4in thick, tempered for strength and safety.
Clear or Frosted (Acid Etch.)

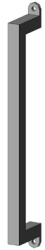
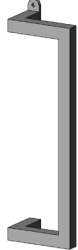

Frame

Proprietary aluminum extrusion finished in matte black industrial-strength powder coat suitable residential or commercial applications. 1" wide x 1-1/4" thick frame size. No visible screws or fasteners.

Track & Hardware

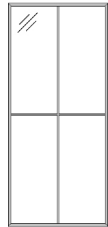
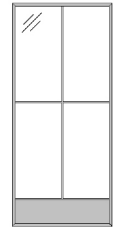
All parts are precision-made steel construction, finished in matte black industrial-strength powder coat. Track is 1-1/2in tall, 1/4in thick. Oversized roller wheels ensure the smoothest roll possible. Adjustable door stops (left + right) can be placed at any point along the track. Small floor guide provided to keep the door aligned. Anti-jump feature prevents door from coming off track. All necessary mounting screws and hardware included for installation and operation. Optional soft open/close feature available utilizing our spring-loaded mechanism that enables a soft, quiet functionality.

Handle Options

| | | |
|--|--|---|
| <p>13in Square Cast Iron (Black) Pull</p>  <p>Goes on Front</p> | <p>13in Offset Cast Iron (Black) Pull</p>  <p>Goes on Front</p> | <p>13in Flat (Black) Pull</p>  <p>Goes on Rear</p> |
|--|--|---|

Kickplate Option

Black steel powder coated to match door frame. 10in from bottom of door.

| | |
|---|---|
|  <p>No Kickplate</p> |  <p>With Kickplate</p> |
|---|---|

Part Number

Made in the USA.

| | | | | | | | | |
|---|------------------------|-------------------------|--|--|--|--|--|--|
| B1Q | | | | | | | | |
| 4 Square Window Black Metal Frame Single Door | Width of Door (inches) | Height of Door (inches) | Glass Type C - Clear F - Frosted | Kickplate N - None K - Kickplate | Front Handle N - None S - 13in Square F - 13in Offset | Handle Side N - None L - Left R - Right | Rear Handle N - None T - 13in Flat | Soft Open/Close N - None S - Soft Open/Close |

PROJECT

QTY

TYPE