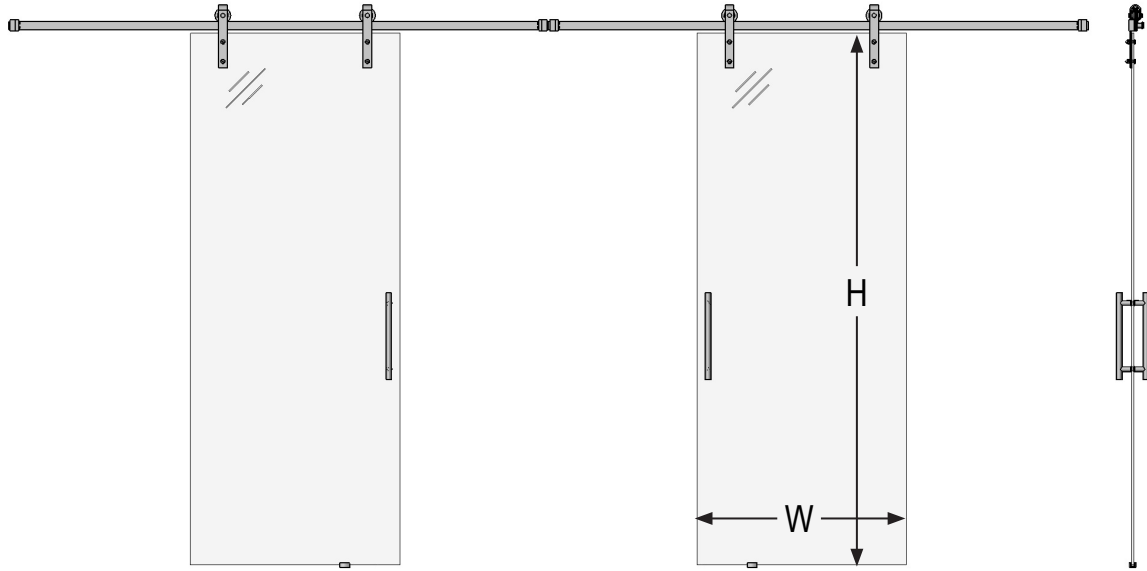


Double Frameless Glass Black Industrial Hardware



Description

Double (2 Doors) Frameless Glass Barn Door suitable for any center-converging wall-mounted application. Available in clear or frosted glass. Frosted (privacy) glass ideal for bathrooms or other areas requiring visual privacy. See dimensional drawing for sizing recommendations. Suitable for use in both professional and residential applications.

Glass

Full 3/8in thick, tempered for safety. Edges are flat polished. Clear or Frosted (Acid Etch).

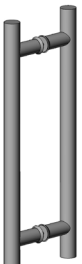
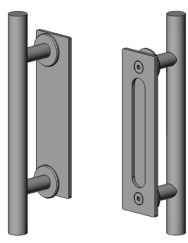
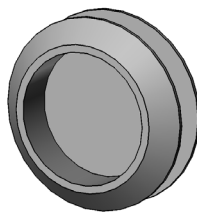
Track & Hardware

All parts are precision-made steel construction, finished in matte black industrial-strength powder coat. Track is 1-1/2in tall, 1/4in thick. Oversized roller wheels ensure the smoothest roll possible. Adjustable door stops (left + right) can be placed at any point along the track. Small floor guide provided to keep the door aligned. All necessary mounting screws and hardware included for installation and operation.

Handle

All handles are matte black powder coated stainless steel.

Handle Options

<p>16in Pull</p>  <p>Double Sided</p> <p>*Note: rear handle will interfere with jamb</p>	<p>12in Pull</p>  <p>Front Rear</p>	<p>2.5in Round</p>  <p>Double Sided</p>
---	--	---

Made in the USA.

Part Number

B2B	-	-	-	-
Double Black Industrial Frameless	Width of Each Glass Panel (inches)	Height of Each Glass Panel (inches)	Glass Type C - Clear F - Frosted	Handle Type 16 - 16in Pull 12 - 12in Pull RD - 2.5in Rnd Pull

PROJECT

QTY

TYPE