

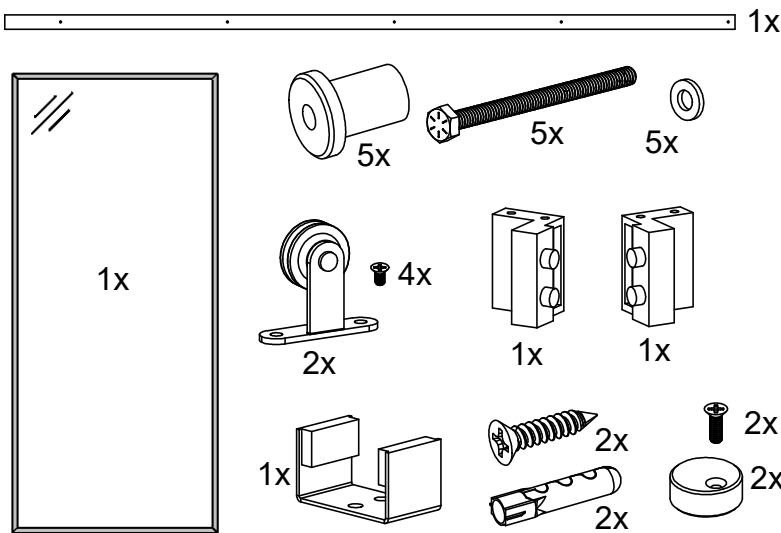
Installation Instructions

Black Metal Framed Barn Door & Track



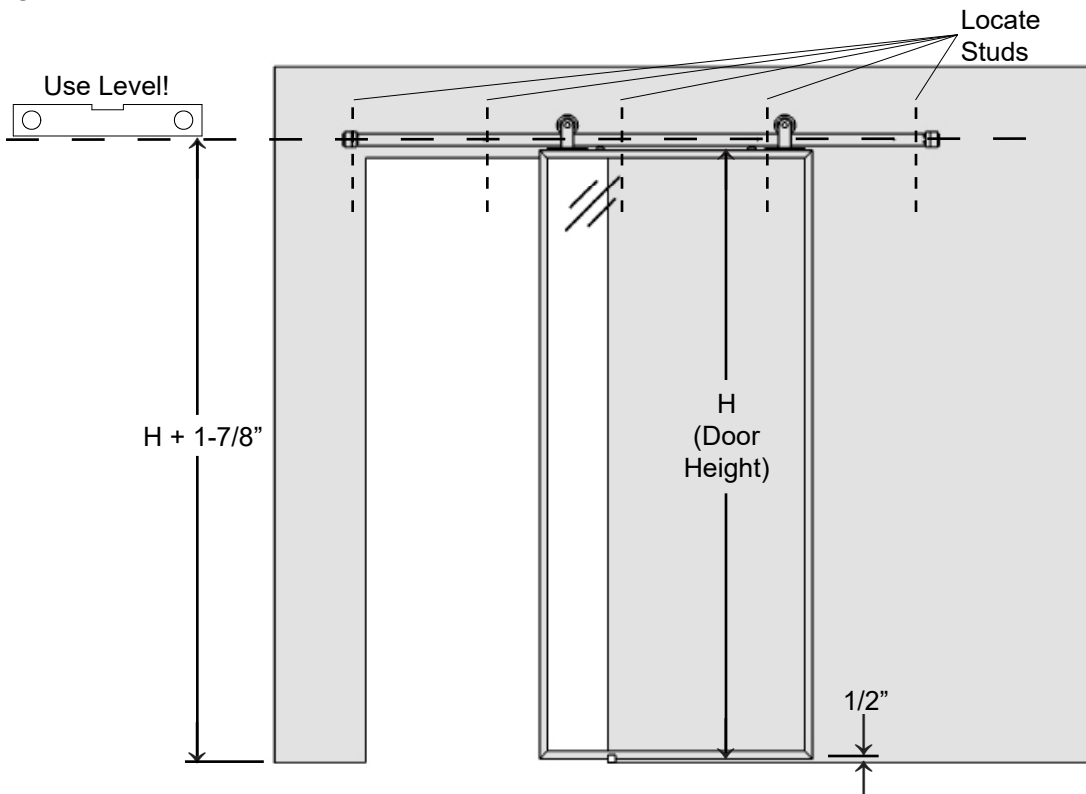
Read all instructions carefully before installing.
Warranties may be voided if installation instructions are not accurately followed.

1 Identify Parts



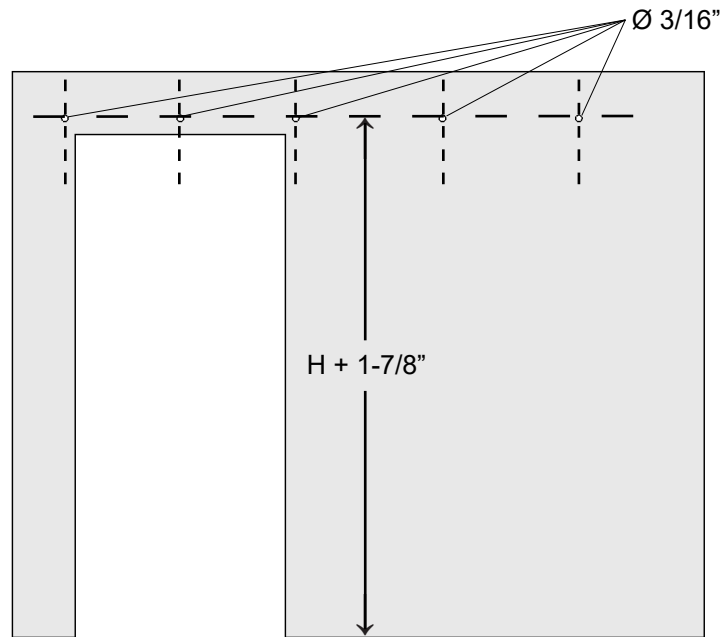
2 Locate Studs / Mark Mtg Holes

Locate wall studs. With a pencil, mark mounting hole locations 1-7/8" plus H (Height of Door) from floor. Use a level to ensure marked locations are level with one another.



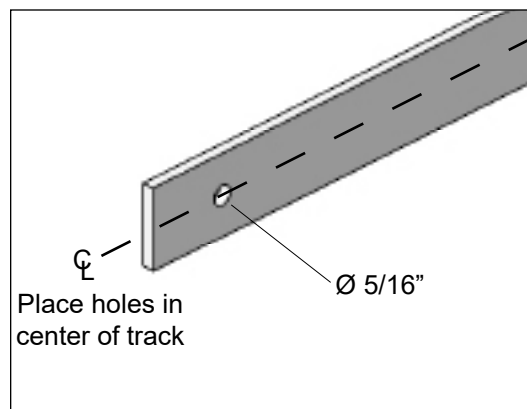
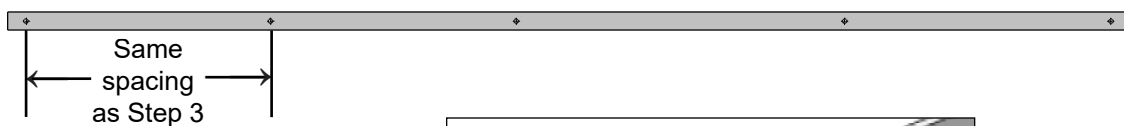
3 Pre-drill Mounting Holes

Predrill a $\varnothing 3/16$ " hole in each marked stud location from step 2, $1-7/8$ " plus H (Height of Door) from floor.



4 Drill Track Holes

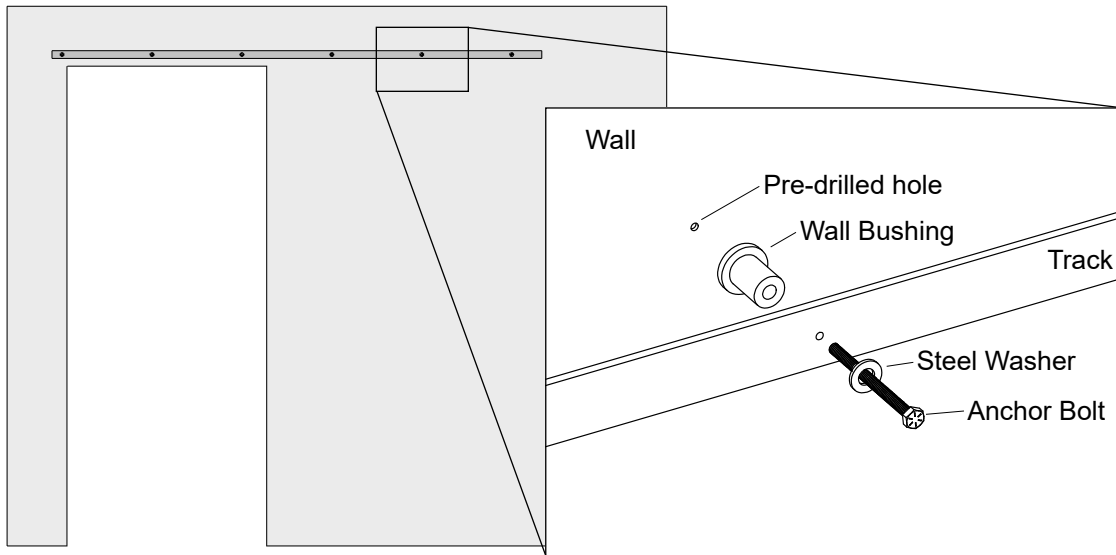
Your stud locations may line up with the pre-drilled holes on the track. If not, measure hole distance from stud spacing drilled in step 3. Mark and drill the same hole pattern onto track. Holes should be drilled in the center of the track.



5

Mount Track onto Wall

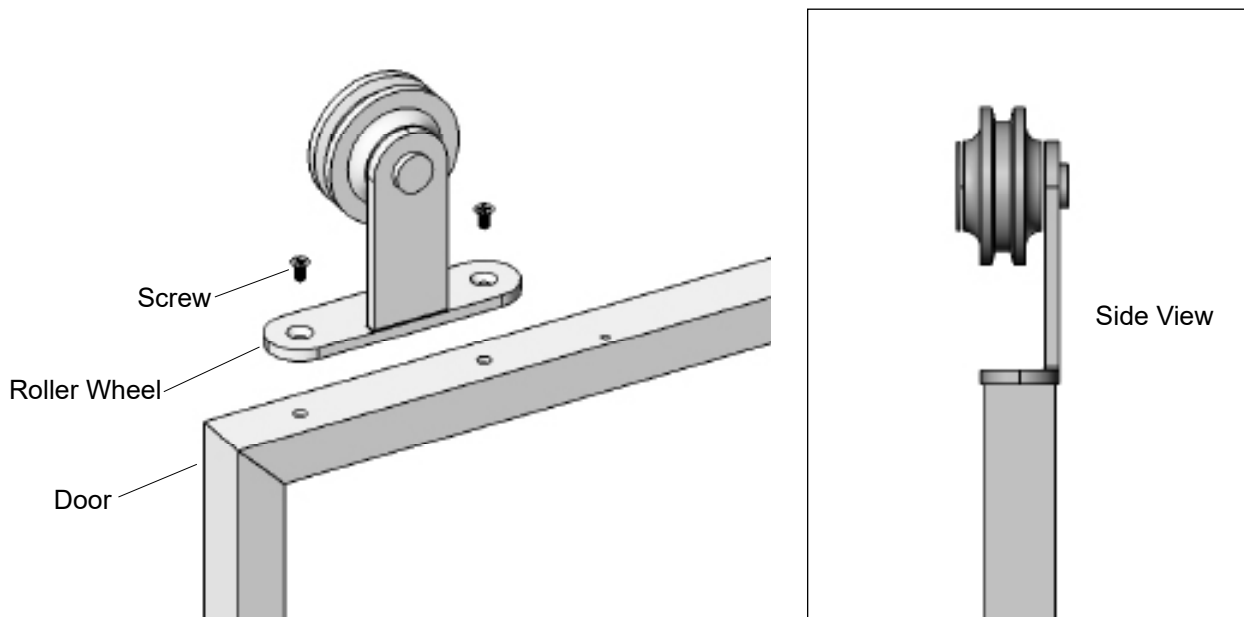
Mount track onto wall using Wall Bushings, Steel Washers, and Anchor Bolts as shown below.



6

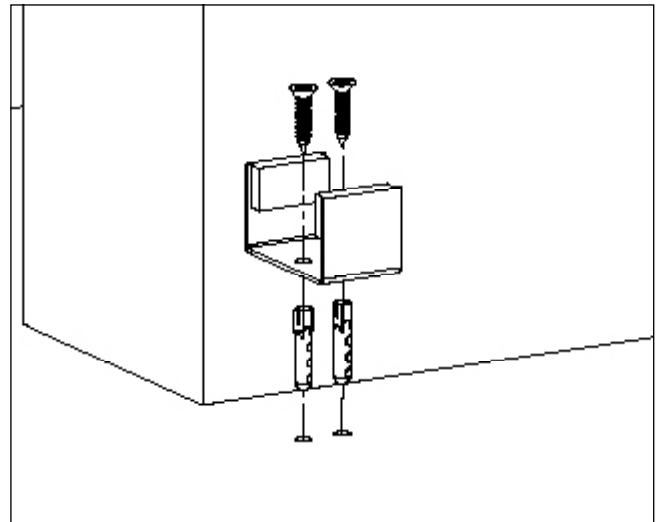
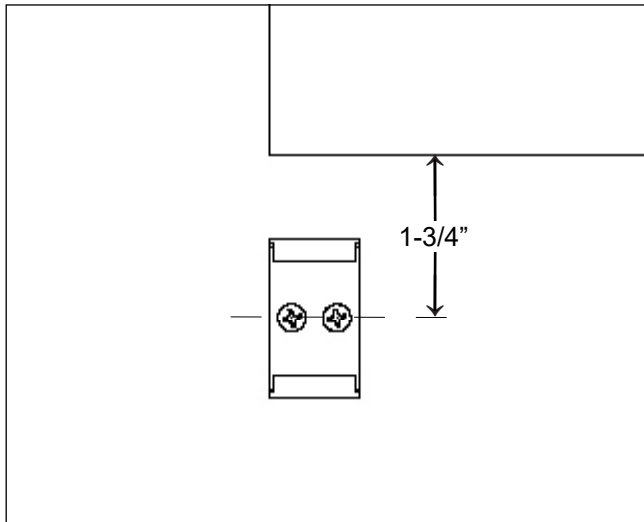
Install Roller Wheels

Install roller wheels onto glass panel with hardware as shown and tighten.



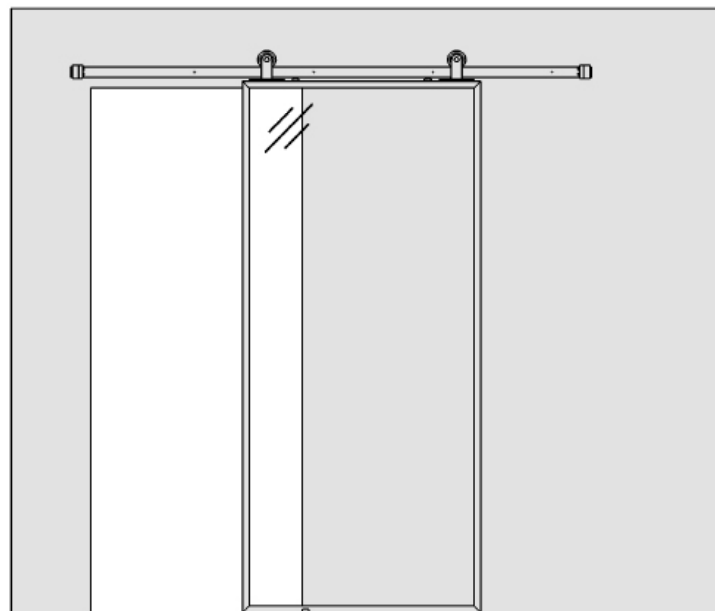
7 Install Floor Guide

Install the floor guide by first pre-drilling 3/16" holes, using the floor guide as a template. Screw floor guide into the floor as shown.



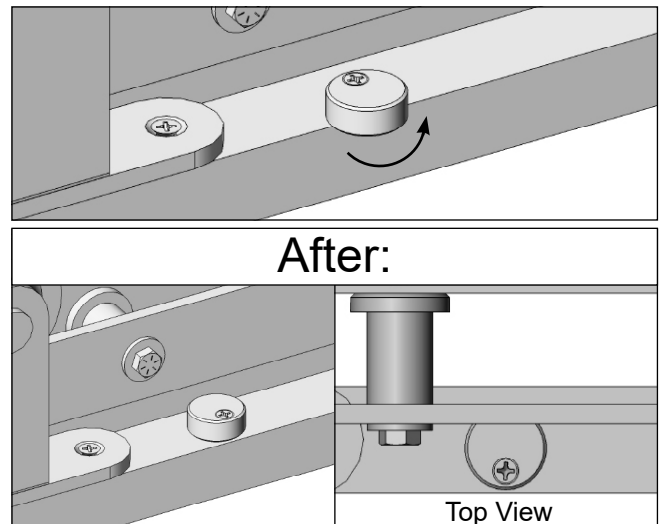
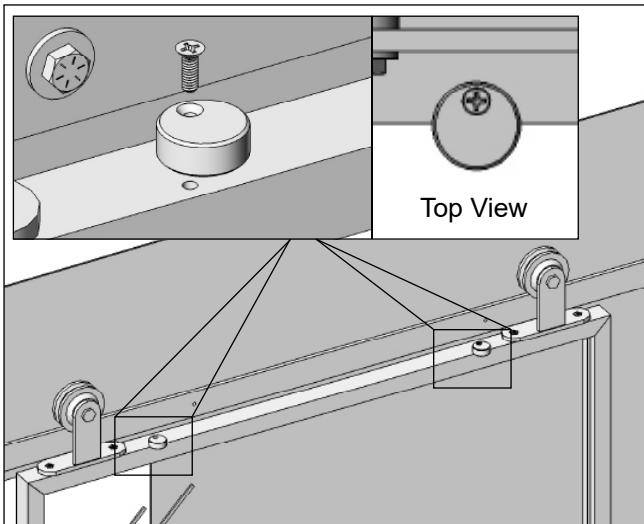
8 Hang Glass Door

Hang glass door by inserting roller wheels onto top of track and bottom of door into floor guide.



9 Install Safety Latches

Screw safety latches into pre-drilled hole on top of door using provided screws. Spin the safety latch until it is under the track and directly on top of the door.



10 Install Track Stops

Slide door to desired stopping locations and install track stops by tightening set screws on the top of each track stop.

