

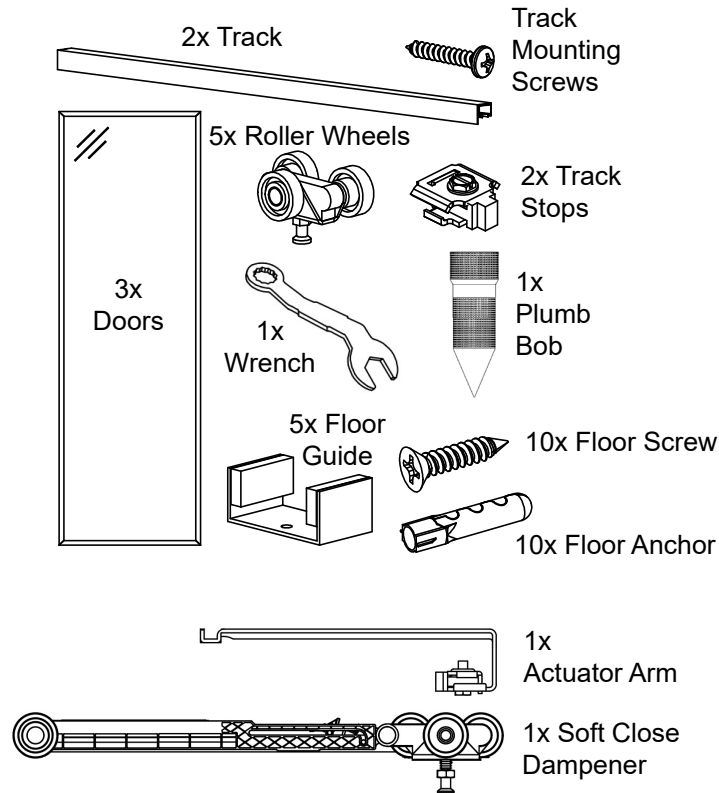
Installation Instructions

3 Door Room Divider - Black Metal Framed



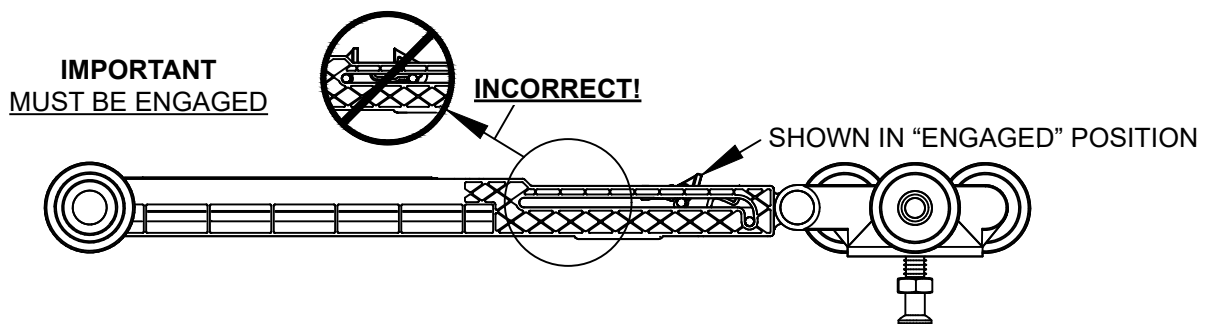
Read all instructions carefully before installing.
Warranties may be voided if installation instructions are not accurately followed.

1 Identify Parts



2 Prep Soft Close Mechanism

Engage each Soft Close Dampener by pushing Dampener Trigger toward 3 Wheel Roller. This is **VERY** important. Dampener must be engaged as shown or soft close will not work and may be **DAMAGED** if installed incorrectly.

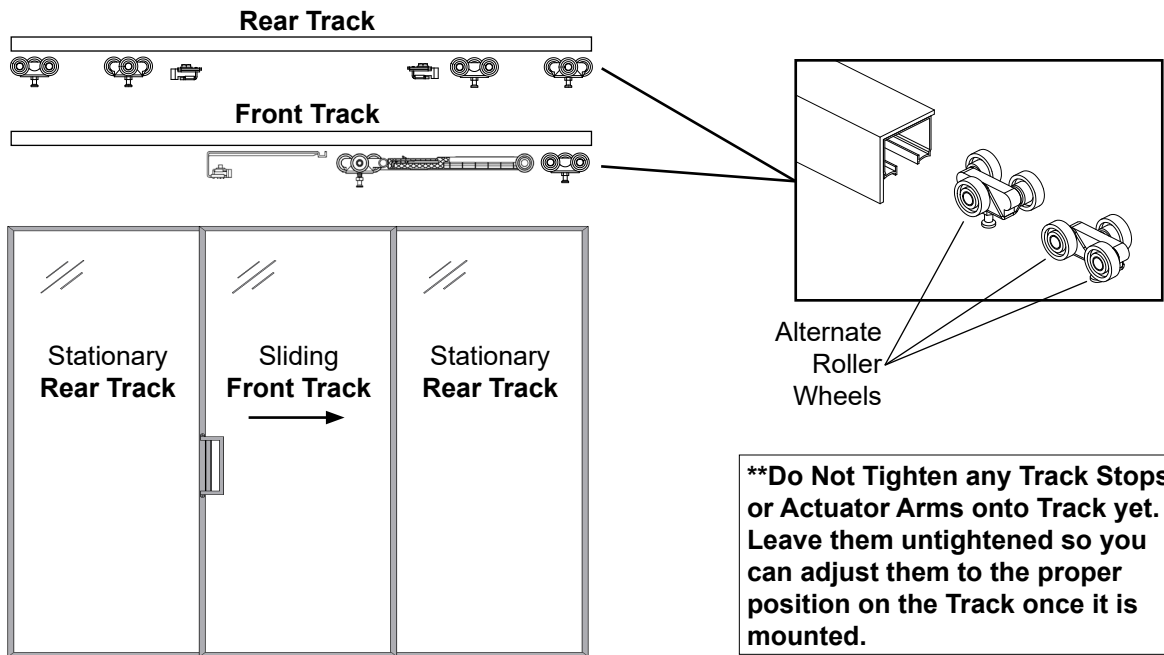


3

Insert Hardware into Track Organize parts as shown below.

Rear Track - For Stationary Doors. Insert a Track Stop and Two Roller Wheels for each door into the track. Alternate each set of roller wheels for even weight distribution (see below.)

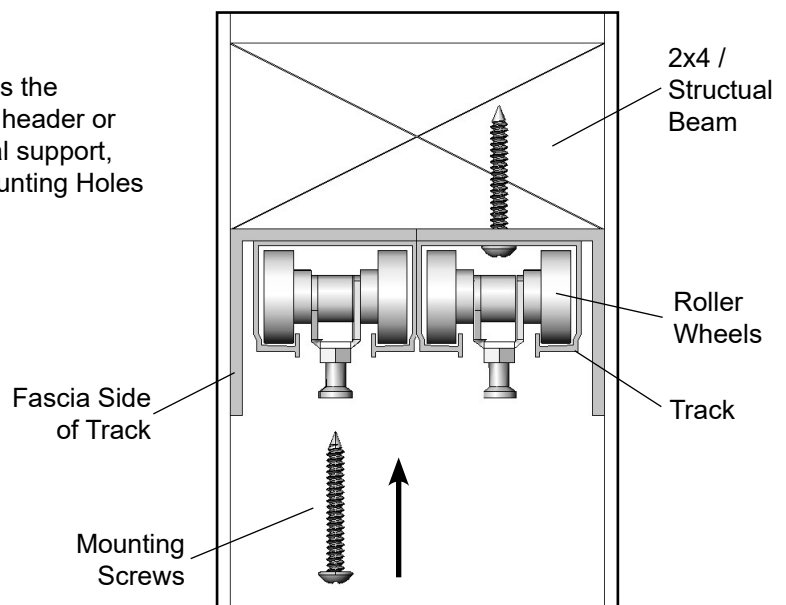
Front Track - For Sliding Door. Insert One Roller Wheel, One Soft Close Dampener and One Actuator Arm for each door. The Dampener and Actuator Arm should be inserted opposite side of the Handle-Side of Door.



4

Mount Track

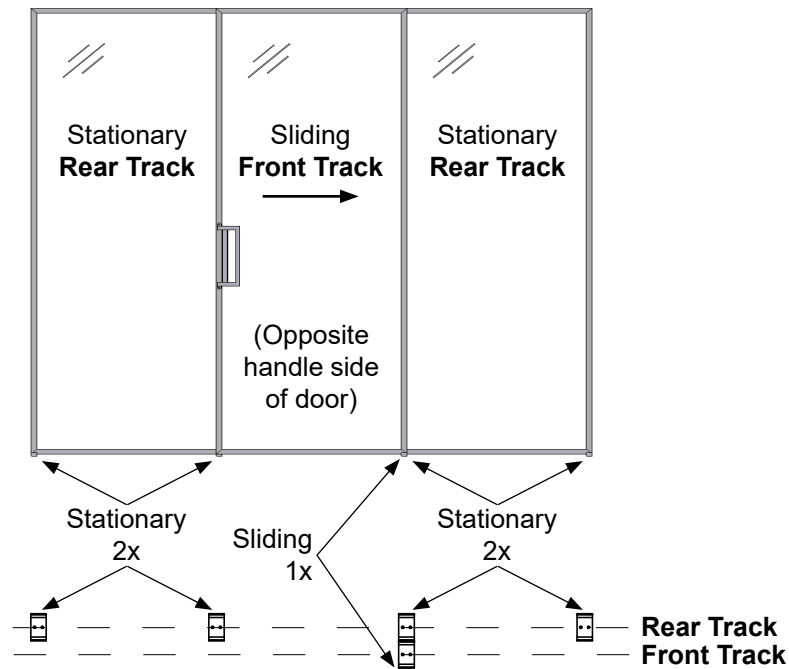
Install Track w/ Fascia (flat side) towards the outside of each room. Screw Track into header or ceiling; making sure to contact structural support, using Mounting Screws through the Mounting Holes provided in the Track.



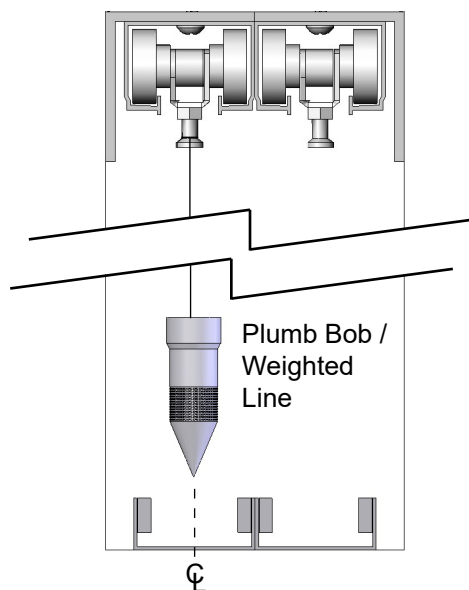
5

Install Floor Alignment Guides

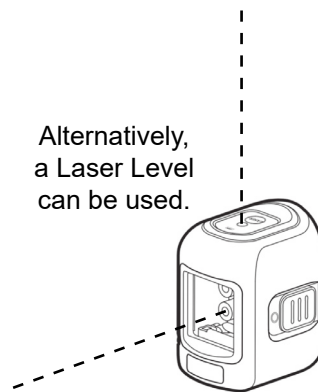
Refer to below layout for placement of the Floor Guides onto the Floor. Each Stationary Door will receive two Floor Guides, on each side of the Door. The Sliding Door will receive one Floor Guide on the side of the door opposite of the Handle.



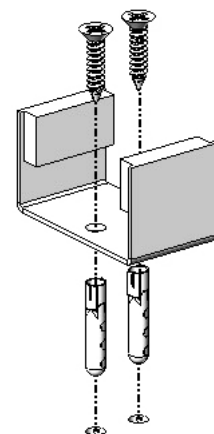
Tip: To find the direct vertical position for each Floor Guide, it is useful to use a Plumb Bob (Weighted Line) tied to a Roller Wheel in each Track.



Alternatively, a Laser Level can be used.



Install each Floor Guide by first pre-drilling 3/16" holes, using the floor guide as a template. Screw Floor Guide into the floor as shown.

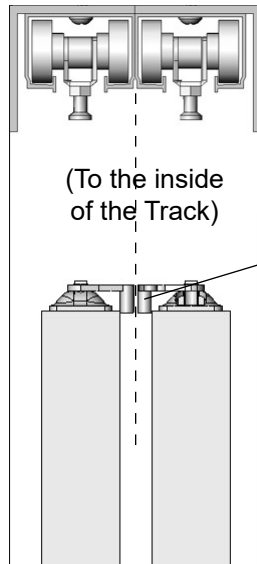


6

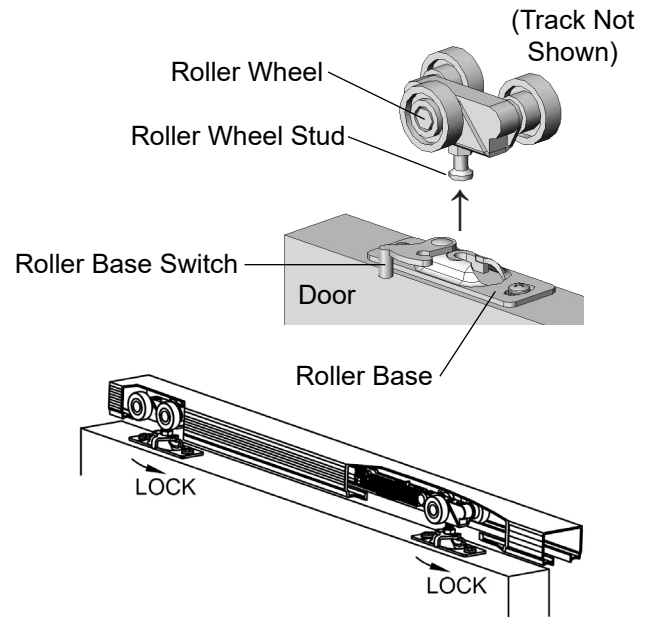
Install Doors

Align each door in its Floor Guide, making sure the Roller Base Switch of the door is on the inside of the track.

Lift the door up to the track and insert the Roller Wheel Stud into the Roller Base. Lock the Roller Base Switch by moving from left to right. A tight snap should be felt.



Roller Base Switch

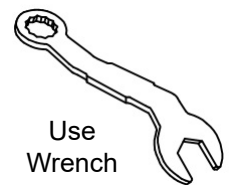
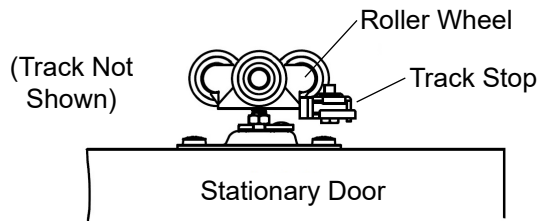


7

Adjust Stops & Actuator Arm

Stationary Doors

Slide Stationary Doors to their proper location. Slide the Track Stop against the Roller Wheel to prevent the door from moving. Hand Tighten with provided Wrench.



Sliding Door

Determine Stopping Point on the track where you want the door to close. Slide the Actuator Arm 2-1/4" from this point (towards the door) and **HAND TIGHTEN** (do not use power drill). Check to make sure the Actuator Arm stayed straight in the track. Slowly close door, checking to make sure it stops at the desired Stopping Point. If not, adjust Actuator arm as needed. Installation is now complete.

