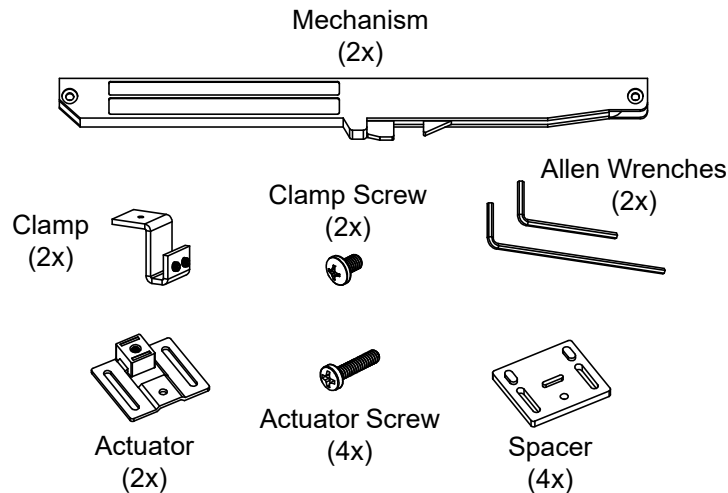


Installation Instructions

Soft Open/Close Mechanism for Black Track

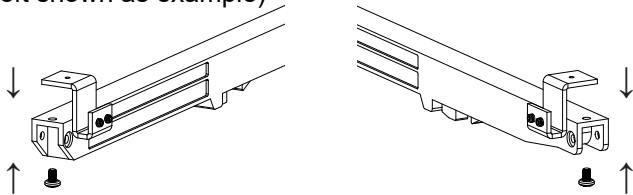
Read all instructions carefully before installing.
Warranties may be voided if installation instructions are not accurately followed.

1 Identify Parts

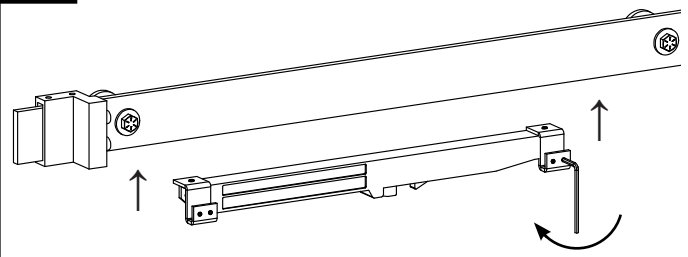


2 Install Clamp

Screw clamps onto each end of the mechanism.
(Left shown as example)

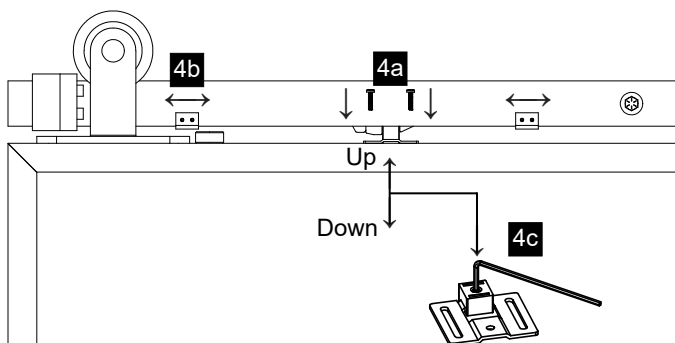


3 Install Mechanism



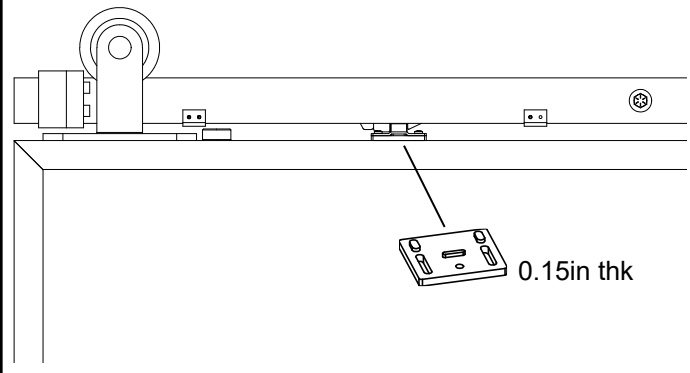
4 Install Actuator

- 4a. Attach actuator to top of door using actuator screws.
- 4b. Adjust the mechanism left or right for perfect fit.
- 4c. Using allen wrench, raise or lower actuator to ensure proper contact with the mechanism.



5 Add Spacer (if needed)

If the actuator is adjusted all the way up and still not engaging the mechanism, a spacer or two may be added.



6 Repeat for Right Side